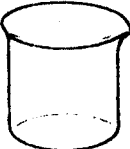
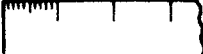




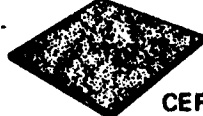

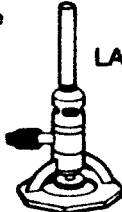
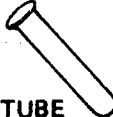
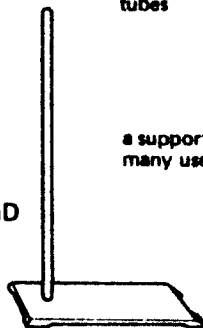

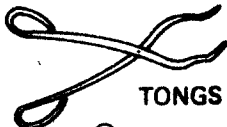





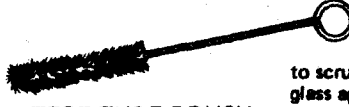
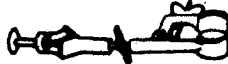



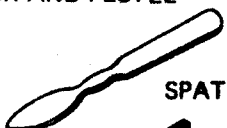







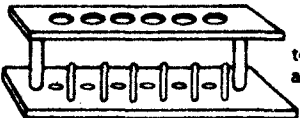

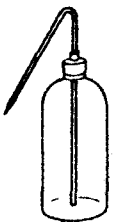
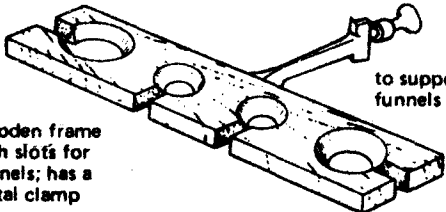
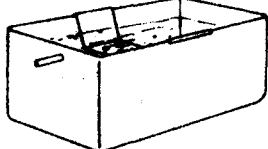

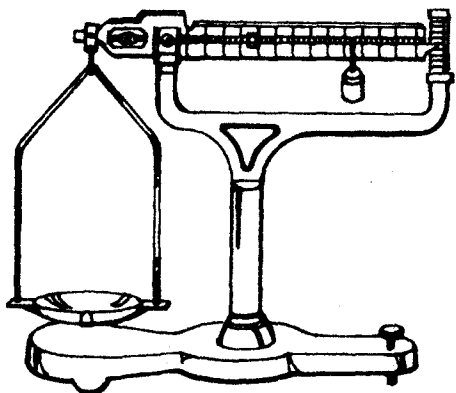


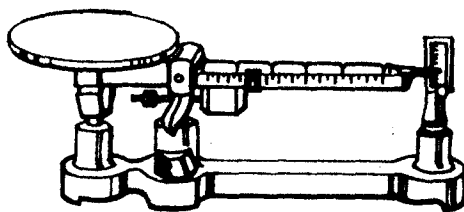
DESCRIPTION	APPARATUS	USE	DESCRIPTION	APPARATUS	USE
<p>glass</p> <p>common sizes</p> <p>100 mL</p> <p>250 mL</p> <p>400 mL</p> <p>marked on the beaker</p>	 <p>BEAKER</p>	<p>as a container, like a cup</p> <p>may be heated</p>	<p>10 centimeter (cm) ruler, plastic divided into centimeter and millimeter (mm) divisions</p>	 <p>10 CM RULER</p>	<p>to measure length</p>
<p>glass</p> <p>marked with a milliliter (mL) scale</p> <p>size divisions</p> <p>50 mL 1.0 mL</p> <p>35 mL 0.2 or 0.5 mL</p> <p>10 mL 0.1 mL</p>	 <p>GRADUATED CYLINDER</p>	<p>to measure volume</p>	<p>triangular wire frame with clay material coverings</p>	 <p>PIPESTEM TRIANGLE</p>	<p>to support the crucible</p>
<p>glass</p> <p>common sizes</p> <p>125 mL</p> <p>250 mL</p> <p>500 mL</p> <p>marked on the flask</p>	 <p>ERLENMEYER FLASK</p> <p>FLORENCE FLASK</p>	<p>may be heated</p>	<p>small porcelain dish with cover</p>	 <p>CRUCIBLE AND COVER</p>	<p>to heat small amounts of solid material at high temperature</p>
			<p>hardened ceramic-fibered material</p>	 <p>CERAMIC-FIBERED SQUARE</p>	<p>to place under hot apparatus</p>
			<p>wire screen with ceramic-fibered center</p>	 <p>WIRE GAUZE</p>	<p>to spread the heat of a flame</p>
			<p>metal heating device connected to gas outlet with rubber tubing</p>	 <p>LABORATORY BURNER</p>	<p>to heat chemicals in beakers or test tubes</p>
<p>glass</p> <p>several sizes</p>	 <p>TEST TUBE</p>	<p>many uses can be heated</p>	<p>metal rod upright heavy base</p>	 <p>RING STAND</p>	<p>a support with many uses</p>
<p>metal clamp with a spring handle</p>	 <p>TEST TUBE HOLDER</p>	<p>to hold a test tube</p>			
<p>metal</p>	 <p>TONGS</p>	<p>to pick up and hold apparatus</p>			
<p>glass</p> <p>marked with a milliliter (mL) scale</p>	 <p>GAS MEASURING TUBE</p>	<p>used to collect and measure the volumes of gases</p>	<p>glass</p> <p>marked with a milliliter (mL) scale and fitted with a stopcock, pinch clamp, or glass bead</p>	 <p>BURET</p>	<p>used to withdraw and measure volumes of solutions in titrations</p>
<p>metal clamp with flexible clips</p>	 <p>DOUBLE BURET CLAMP</p>	<p>to hold burets when titrating</p>	<p>glass</p> <p>marked off to liter capacity, with a glass stopper</p>	 <p>VOLUMETRIC FLASK</p>	<p>used in the preparation of solutions</p>

DESCRIPTION	APPARATUS	USE	DESCRIPTION	APPARATUS	USE
iron ring with screw fastener several sizes	 IRON RING	to fasten to the ring stand as a support for apparatus	brush with wire handle	 TEST TUBE BRUSH	to scrub glass apparatus
metal clamp with 1. screw fastener 2. swivel and lock nut 3. adjusting screw 4. curved clamp	 BURET CLAMP- TEST TUBE CLAMP	to hold apparatus may be fastened to the ring stand	glass rod	 STIRRING ROD	to stir combinations of materials to use in pouring liquids
heavy porcelain dish with grinder	 MORTAR AND PESTLE	to grind chemicals to a powder	porcelain dish	 EVAPORATING DISH	as a container for small amounts of liquid being evaporated
may be of metal or porcelain	 SPATULA	to transfer solid chemicals in weighing	thick glass	 GLASS PLATE	many uses (should not be heated)
metal file with three cutting edges	 TRIANGULAR FILE	to scratch glass to file	curved glass	 WATCH GLASS	may be used as a beaker cover may be used in evaporating very small amounts of liquid
short length of rubber tubing	 RUBBER CONNECTOR	to connect parts of apparatus	glass or plastic	 FUNNEL	to hold a filter paper may be used in pouring
metal clamp with finger grips	 PINCH CLAMP	to clamp a rubber connector	glass tip with rubber bulb	 MEDICINE DROPPER	to transfer small amounts of liquid
rack; may be wood, metal or plastic	 TEST TUBE RACK	to hold test tubes in an upright position	metal	 FORCEPS	to pick up or hold small objects
squeezable plastic bottle with angular tip	 PLASTIC WASH BOTTLE	to dispense distilled water	Wooden frame with slots for funnels; has a metal clamp	 FUNNEL SUPPORT	to support funnels
galvanized iron container with rolled edge, overflow tube, and bottle shelf	 PNEUMATIC TROUGH	to hold water, gas collecting bottles, and delivery tube from gas generator	glass	 WIDE-MOUTH BOTTLE	many uses as a container

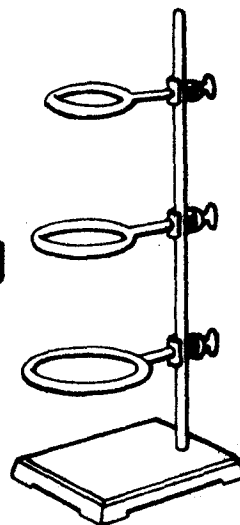
# Common Laboratory Equipment



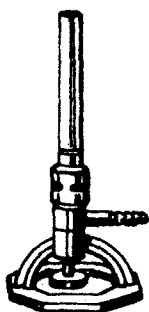
Triple-beam balance



Platform balance



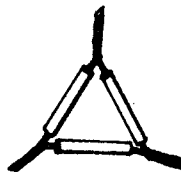
Ring stand (with rings)



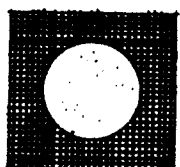
Tirill burner



Wing top



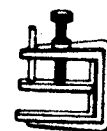
Triangle



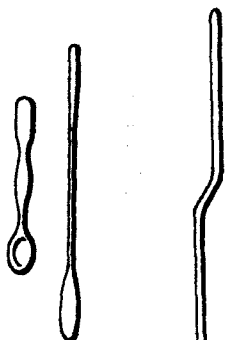
Wire gauze (asbestos center)



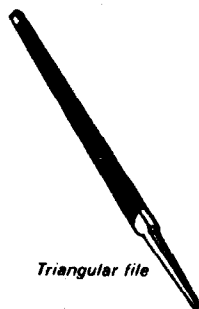
Pinchcock clamp



Screw clamp



Porcelain spatulas



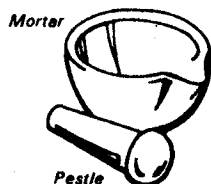
Triangular file



Crucible with cover



Buret (utility) clamp



Mortar

Pestle



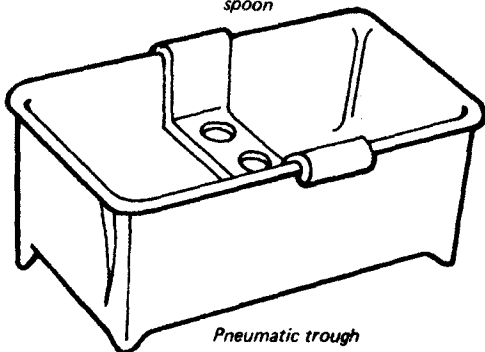
Clamp holder



Deflagrating (combustion) spoon



Extension clamp



Pneumatic trough



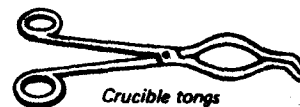
Evaporating dish



Test-tube clamp



Casserole



Crucible tongs

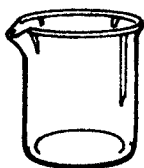


Combustion boat

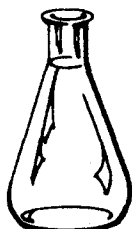


Forceps

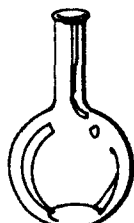
# Common Laboratory Equipment (continued)



Beaker



Erlenmeyer flask



Florence flask



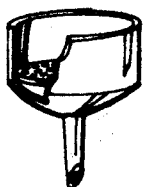
Wide-mouthed bottle



Reagent bottle



Filter flask



Büchner funnel



Funnel



Separatory funnel



Thistle tube



Straight drying tube



Dropping pipet (medicine dropper)



Stirring rod



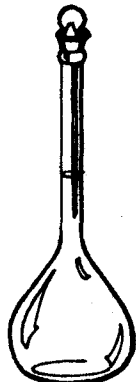
Graduated cylinder



Graduated pipet



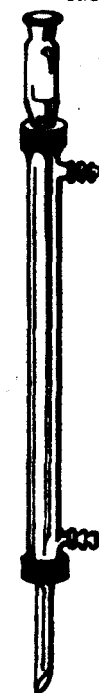
Volumetric pipet



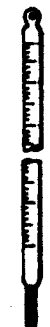
Volumetric flask



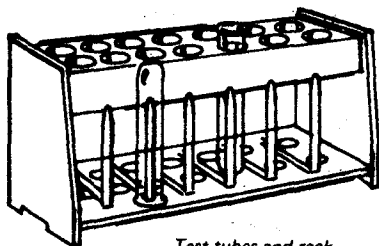
Buret



Condenser (water-cooled)



Thermometer



Test tubes and rack



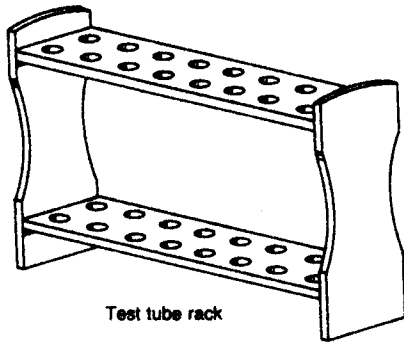
Watch glass



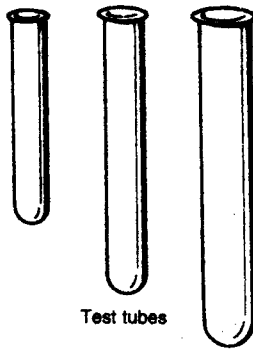
Test-tube brush



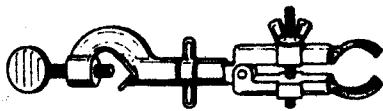
Plastic wash bottle



Test tube rack



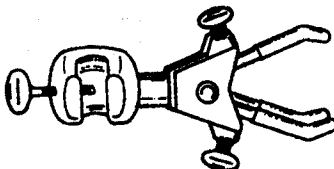
Test tubes



Buret/test tube clamp



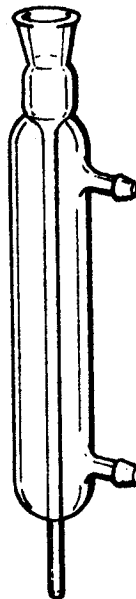
Clamp holder



3-prong jaw clamp



Forceps



Condenser

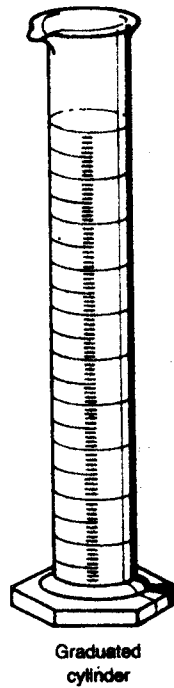
Stirring rod



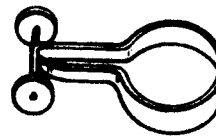
Rubber policeman



Graduated pipet



Graduated cylinder



Pinch clamp



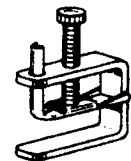
Gas collecting tube



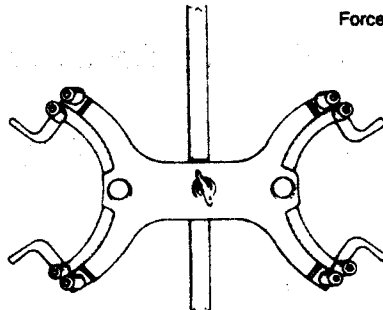
Volumetric pipet



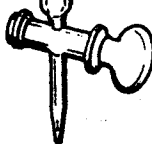
Thermometer



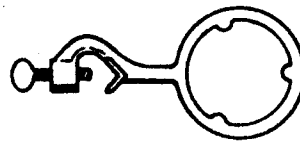
Screw clamp



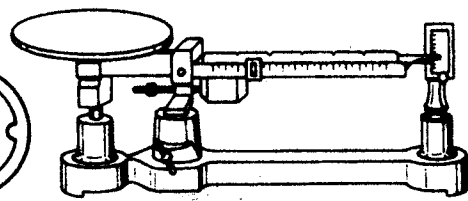
Double buret clamp



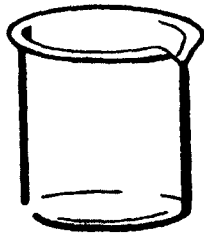
Buret



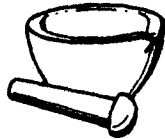
Ring clamp



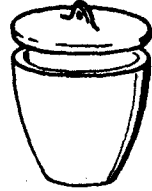
Platform balance (triple beam)



Beaker



Mortar and pestle



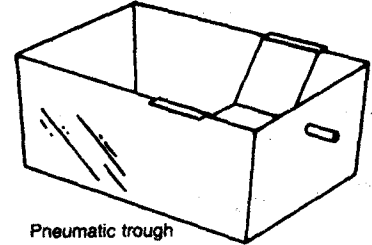
Crucible and cover



Watch glass



Evaporating dish



Pneumatic trough



Florence flask



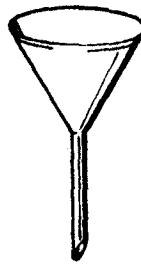
Wide-mouth collecting bottle



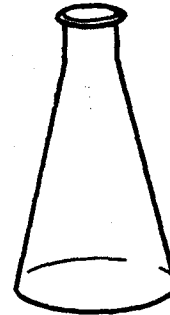
Plastic wash bottle



Dropper pipet



Funnel



Erlenmeyer flask



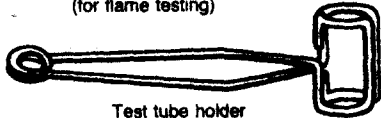
Safety goggles



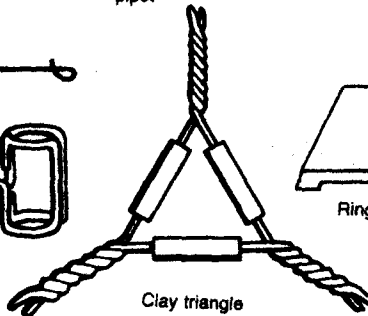
Rubber stoppers



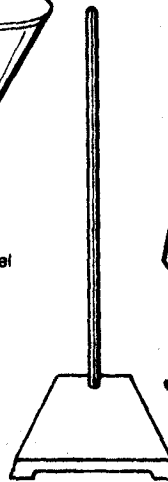
Glass rod with nichrome wires (for flame testing)



Test tube holder



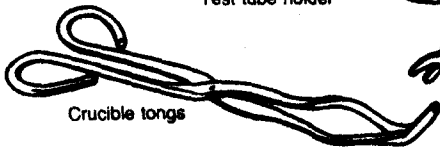
Clay triangle



Ring stand



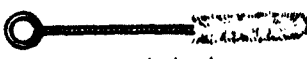
Scoopula



Crucible tongs



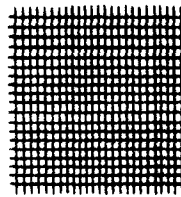
Metal spatula



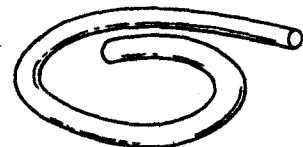
Test tube brush



Ceramic square



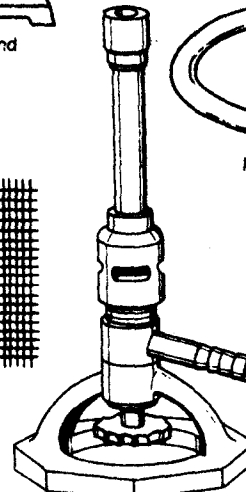
Wire gauze



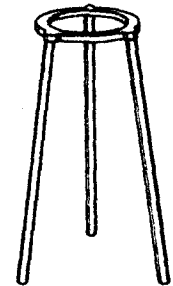
Rubber tubing



Triangular file



Burner



Tripod